

MP16T Series

Metal pushbutton switch, IP67, low current



Specifications

- Rating: 50 mA / 12 VDC.
- Electronics Life: 200,000 make-and-break cycles at full load
- Mechanical Life: 1,000,000 cycles
- Insulation Resistance: 100 MΩ Min.
- Dielectric Strength: 250V RMS@sea level.
- Contact Resistance: 100 mΩ Max (Initial value).
- Operating Temperature: -20°C to +70°C
- Travel: 0.85 mm ± 0.25 mm.
- Operating Pressure: 450 gf ± 150 gf.
- Torque: 11.5 kgf · cm

Ingress Protection: IP67 (In house test)



Materials

- Bushing: Stainless steel
- Base: Nylon 6/6.
- Actuator: PC (Translucent UL 94 V-2)
- Cap: Stainless steel
- Rubber: Silicone (Translucent)
- Sealant: Viton.
- O-Ring: Silicone (Translucent).
- Terminal: Brass, gold flash over silver plated.
- Contact: Stainless, silver plated.
- Hex Nut: Brass (Nickel plated).

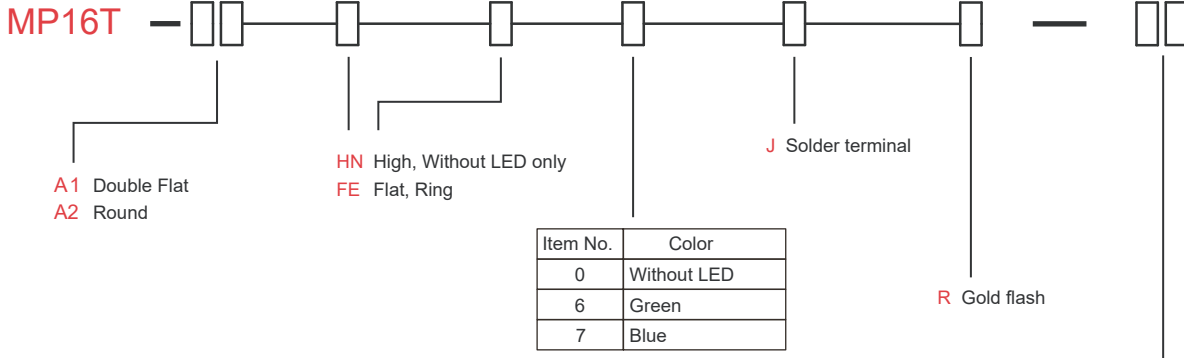
Soldering Process

- Manual Soldering: Use 60 watts soldering iron and controlled the temperature at 280°.
- Duration of solder immersion: Max. 3 sec.

HOW TO ORDER

Note: Specifications and availability subject to change without notice.

MODEL NO. BODY TYPE BUTTON TYPE LIGHT TYPE LED COLOR TERMINAL & WIRE TERMINAL PLATING LED VOLTAGE

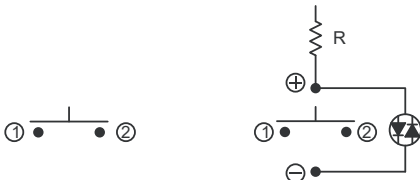


Note: 1. Current limiting resistor is required to limit LED forward current to 20 mA.
 2. Other LED colors need to be confirmed

Resistance (About LED Voltage)	
0V	Without Resistance
3V	LED input 3 VDC, 47Ω Note: Red/Yellow/Orange LED type only
6V	LED input 6 VDC, 180Ω
12V	LED input 12 VDC, 470Ω
24V	LED input 24 VDC, 1000Ω

Note: Ohms value of resistance tolerance: ±5%

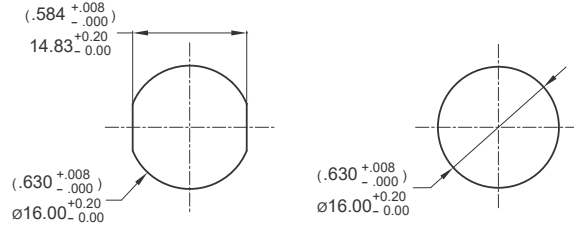
CIRCUIT&PANEL MOUNTING



Without LED

Single Color LED

Note: According to the input voltage adjustment resistance.

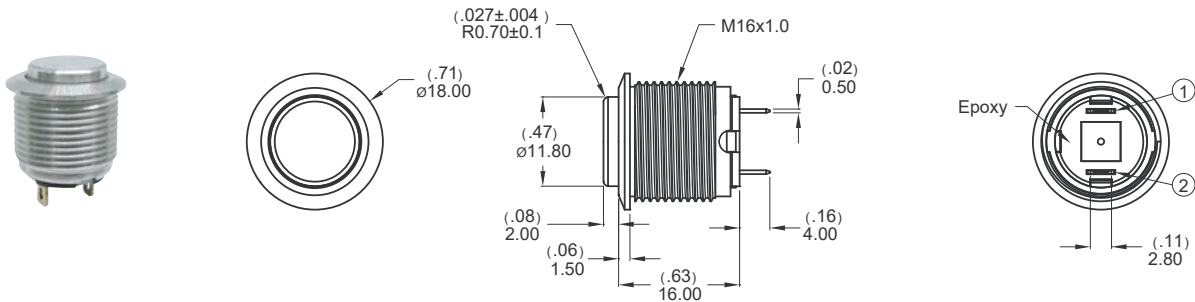


Double Flat

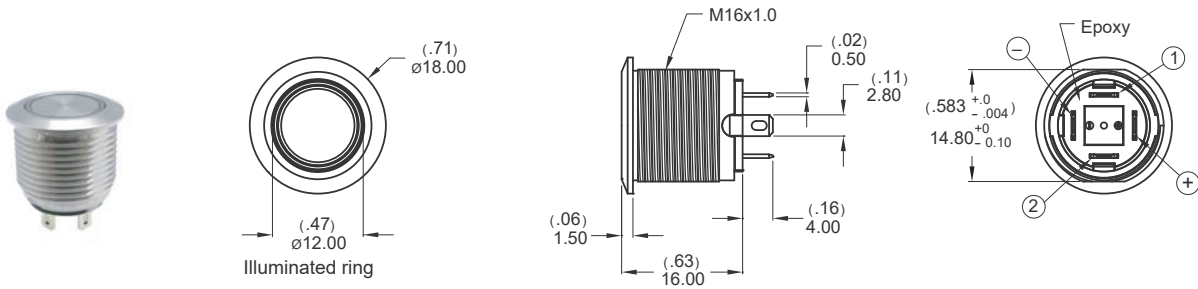
Round

Panel thickness: 8.0 mm (.031 inch) MAX.

DIMENSION



Model name. MP16T-A2HN-0-JR-0V



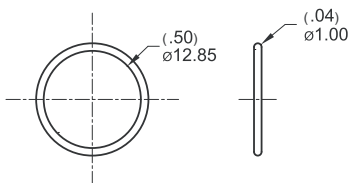
Model name. MP16T-A2FE-6-JR-6V

HARDWARE

- * Standard hardware : 1 Nut, 1 O-Ring
- * For further information please consult sales representative.

O-Ring

Model name. FCP-MP602



Hex Nut

Model name. MNU-PY01

