

▶ Product Features

- 12 or 6 pulse per revolution
- 100,000 long-life cycles
- Design for portable device or smart watch
- RoHS Compliant



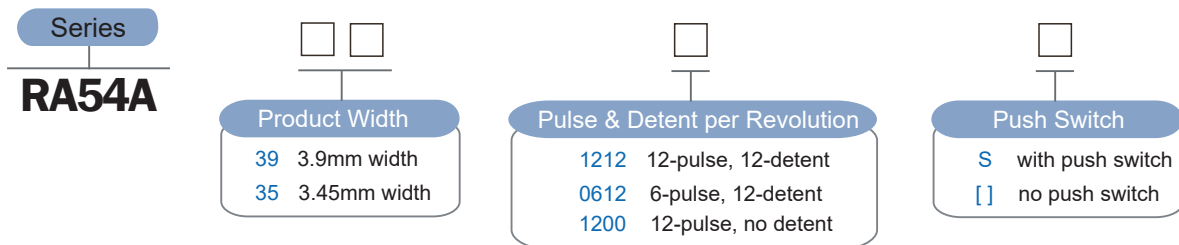
▶ Materials

Part Name	Housing	Cover	Rotor	Contact	Terminal
Material	Nylon	Copper Alloy	Nylon	Copper Alloy	Copper Alloy

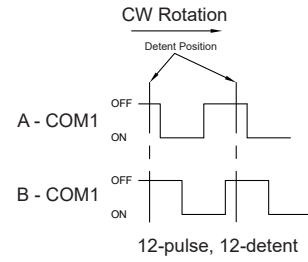
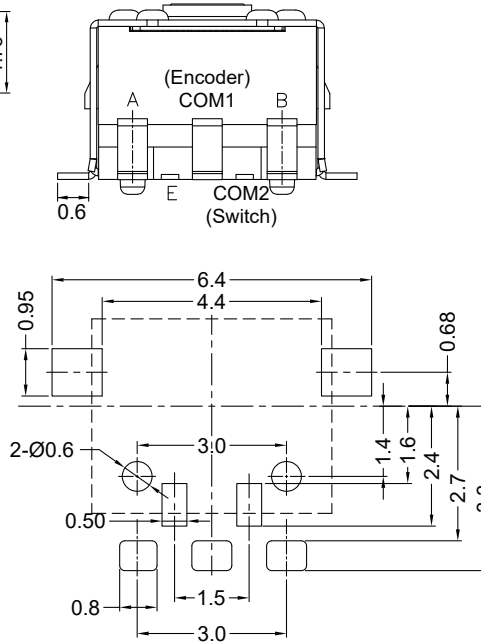
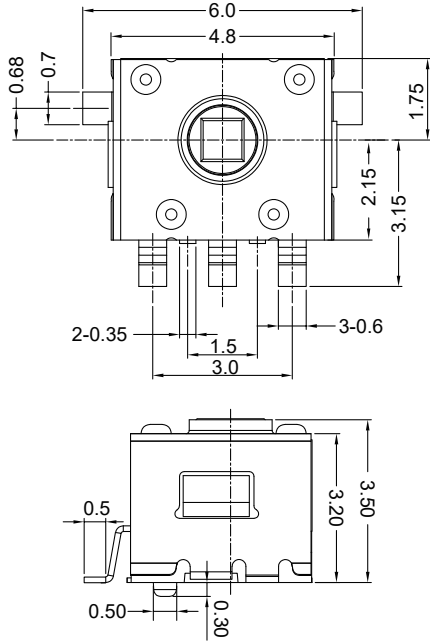
▶ Specification

Operating Temperature	-30°C ~ 85°C
Rotational Torque	100 gf.cm max.
Optional Push Switch Force	200 gf
Optional Push Switch Travel	0.15mm
Power Rating	50mA, 12VDC
Life Cycle	100,000
Insulation Resistance	100MΩ min @ 100VDC
Dielectrical Strength	100VAC for 1 minute
Contact Resistance	50mΩ max.

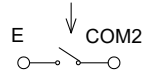
▶ Part Number



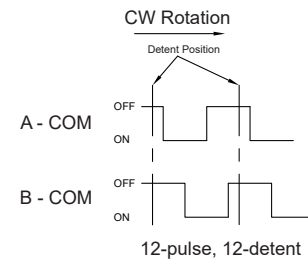
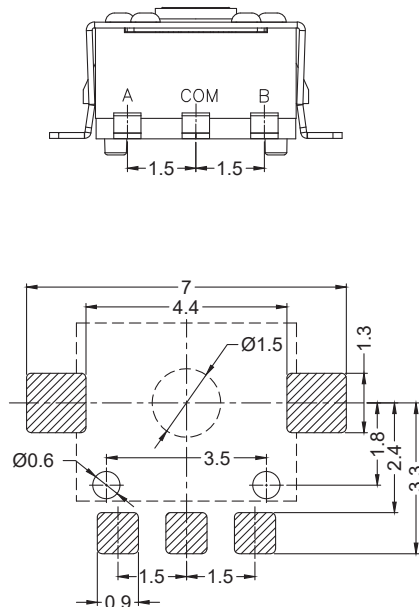
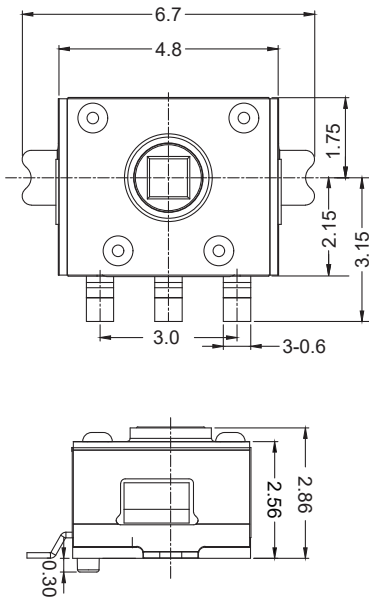
RA54391212S



Switch Circuit Diagram



RA54391212



RA54351212

